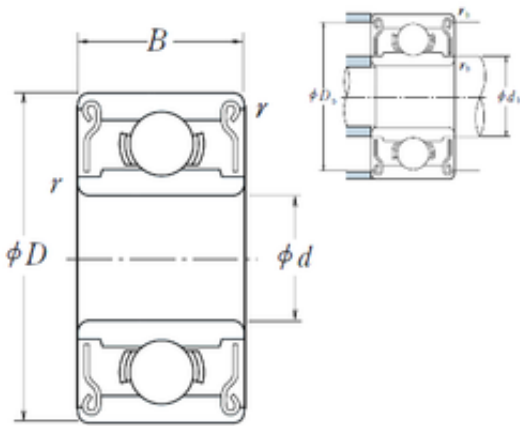




# ISO BEARING-SINGAPORE (PTE)LTD.

1,191 mm x 3,967 mm x 2,38 mm ISO R0-2RS  
deep groove ball bearings

Bearing No. R0-2RS



R0-2RS Bearing 2D drawings and 3D CAD models

Size	1.191x3.967x2.38 mm
Bore Diameter	1,191 mm
Outer Diameter	3,967 mm
Width	2,38 mm
d	1,191 mm
D	3,967 mm
B	2,38 mm
C	2,38 mm
r min.	0,1 mm