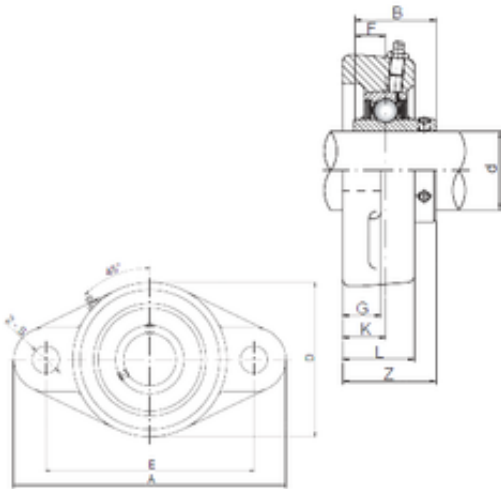




# ISO BEARING-SINGAPORE (PTE)LTD.

75 mm x 165 mm x 77,8 mm ISO UCFL215 bearing units

Bearing No. UCFL215



UCFL215 Bearing 2D drawings and 3D CAD models

Bore Diameter	75 mm
d	75 mm
B	77,8 mm
Z	78,5 mm
A	275 mm
D	165 mm
E	225 mm
F	33,3 mm
G	22 mm
K	34 mm
L	56 mm
S	23 mm
Bolt (G)	M20