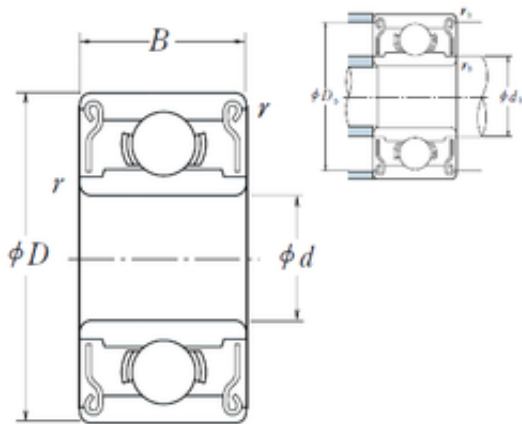




ISO BEARING-SINGAPORE (PTE)LTD.



4 mm x 9 mm x 4 mm ISO 684AZZ deep groove ball bearings

Bearing No. 684AZZ

| | |
|----------------|----------|
| Size | 4x9x4 mm |
| Bore Diameter | 4 mm |
| Outer Diameter | 9 mm |
| Width | 4 mm |
| d | 4 mm |
| D | 9 mm |
| B | 4 mm |
| C | 4 mm |
| r min. | 0,15 mm |

684AZZ Bearing 2D drawings and 3D CAD models