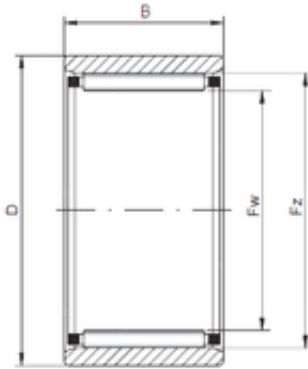




ISO BEARING-SINGAPORE (PTE)LTD.

35 mm x 45 mm x 26 mm ISO RNAO35x45x26
cylindrical roller bearings



Bearing No. RNAO35x45x26

Size	35x45x26 mm
Bore Diameter	35 mm
Outer Diameter	45 mm
Width	26 mm
d	35 mm
Fw	35 mm
D	45 mm
Ew	40 mm
B	26 mm
C	26 mm

RNAO35x45x26 Bearing 2D drawings and 3D CAD
models