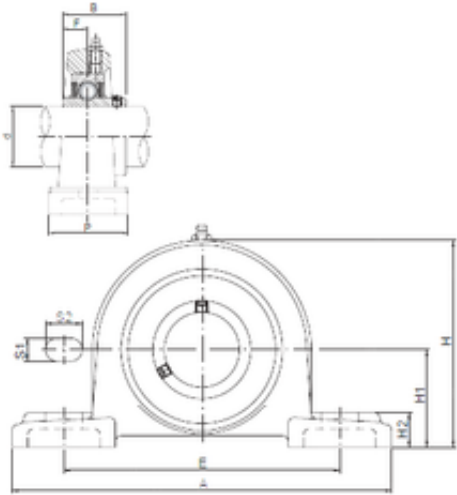




# ISO BEARING-SINGAPORE (PTE)LTD.



UCP218 Bearing 2D drawings and 3D CAD models

## ISO UCP218 bearing units

Bearing No. UCP218

Bore Diameter	90 mm
d	90 mm
S1	27 mm
P	88 mm
A	327 mm
B	96 mm
E	262 mm
F	39,7 mm
H	198 mm
H1	101,6 mm
H2	33 mm
S2	30 mm
Bolt (G)	M22