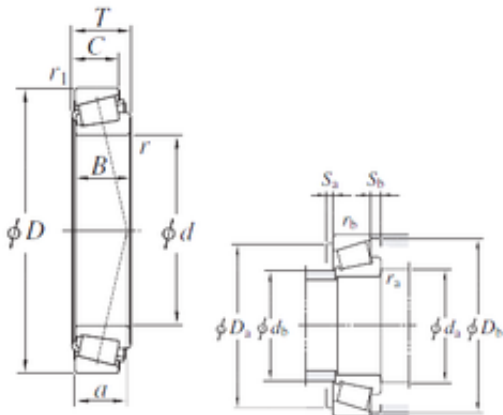




ISO BEARING-SINGAPORE (PTE)LTD.

196,85 mm x 257,175 mm x 39,688 mm KOYO
LM739749/LM739710 tapered roller bearings

Bearing No. LM739749/LM739710



LM739749/LM739710 Bearing 2D drawings and 3D
CAD models

Size	196.85x257.175x39.688 mm
Bore Diameter	196,85 mm
Outer Diameter	257,175 mm
Width	39,688 mm
d	196,85 mm
D	257,175 mm
T	39,688 mm
B	39,688 mm
C	30,163 mm
a	50,6 mm
r min.	3,6 mm
r1 min.	3,2 mm
da min.	210 mm
Da min	238 mm
Da max.	245 mm
db max.	211 mm
ra max.	3,6 mm
rb max.	3,2 mm
Db	247 mm
Weight	5,27 Kg
Basic dynamic load rating (C)	268 kN
Basic static load rating (C0)	632 kN
Calculation factor (e)	0,45
Calculation factor (Y0)	0,74