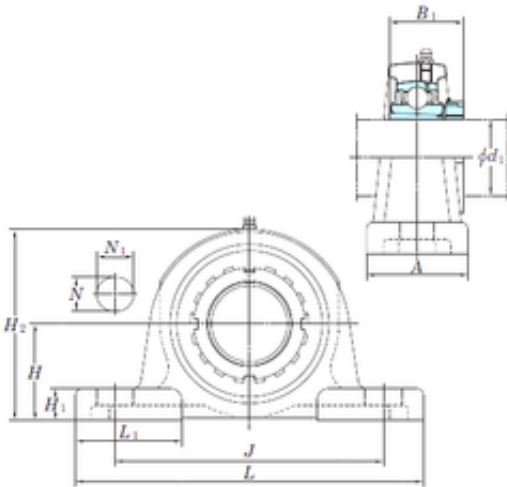




# ISO BEARING-SINGAPORE (PTE)LTD.

## KOYO UKP319 bearing units

Bearing No. UKP319



UKP319 Bearing 2D drawings and 3D CAD models

Bore Diameter	85 mm
Width	125 mm
d	85 mm
A	120 mm
B1	90 mm
H	125 mm
H1	46 mm
H2	248 mm
J	360 mm
L	470 mm
L1	125 mm
N	36 mm
N1	50 mm
Bolt (G)	M30
Weight	29,3 Kg
Basic dynamic load rating (C)	153 kN
Basic static load rating (C0)	119 kN
Bearing No.	UKP319
Bolt size	M30
Cr	153
C0r	119
f0	13.3
B	90
S	29.3
(Refer.)Unit mass(kg)	R1/8