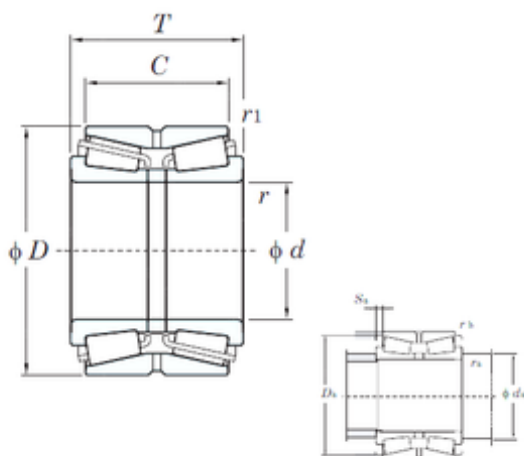




ISO BEARING-SINGAPORE (PTE)LTD.



KOYO 46216 tapered roller bearings

Bearing No. 46216

Size	80x125x34 mm
Bore Diameter	80 mm
Outer Diameter	125 mm
Width	34 mm
d	80 mm
D	125 mm
T	34 mm
C	30 mm
r min.	1,5 mm
r1 min.	0,6 mm
da min.	88,5 mm
Da min	116,9 mm
ra max.	1,5 mm
rb max.	0,6 mm
Weight	1,38 Kg
Basic dynamic load rating (C)	108 kN
Basic static load rating (C0)	155 kN
(Grease) Lubrication Speed	2300 r/min
(Oil) Lubrication Speed	3100 r/min
Calculation factor (e)	0,35
Calculation factor (Y0)	1,91
Bearing No.	46216
r(min)	1.5
r1(min)	0.6
Cr	136
C0r	155

46216 Bearing 2D drawings and 3D CAD models



ISO BEARING-SINGAPORE (PTE)LTD.

Cu	11.3
Grease lub.	2300
Oil lub.	3100
da(min)	88.5
Da(min)	120
Sa(min)	2
ra(max)	1.5
rb(max)	0.6
e	0.35
Y2	1.95
Y3	2.90
Y0	1.91
(Refer.)Mass(kg)	1.38