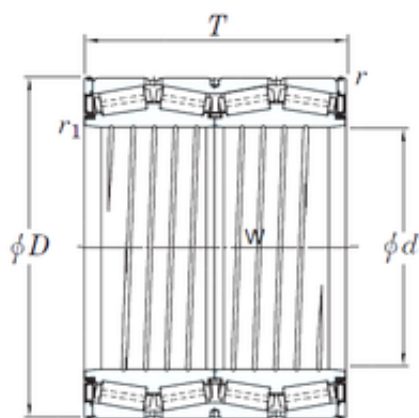




ISO BEARING-SINGAPORE (PTE)LTD.

KOYO 4TRS19D tapered roller bearings



Bearing No. 4TRS19D

Size	482.6x615.95x330.2 mm
Bore Diameter	482,6 mm
Outer Diameter	615,95 mm
Width	330,2 mm
d	482,6 mm
D	615,95 mm
T	330,2 mm
r min.	3,2 mm
r1 min.	1,6 mm
W	330,2 mm
Weight	239 Kg
Basic dynamic load rating (C)	4510 kN
Basic static load rating (C0)	12400 kN
Calculation factor (e)	0,4
Calculation factor (Y2)	1,68

4TRS19D Bearing 2D drawings and 3D CAD models