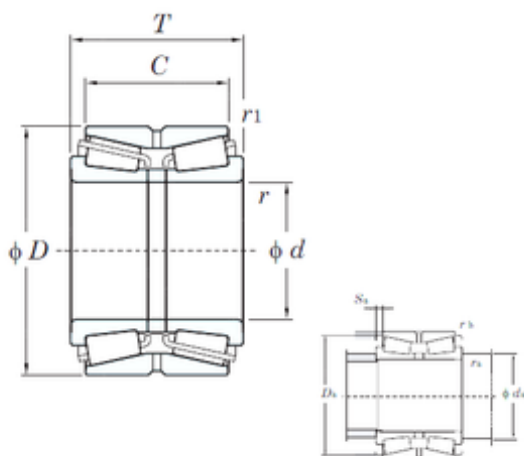




# ISO BEARING-SINGAPORE (PTE)LTD.



## KOYO 46252 tapered roller bearings

Bearing No. 46252

|                               |                |
|-------------------------------|----------------|
| Size                          | 260x400x104 mm |
| Bore Diameter                 | 260 mm         |
| Outer Diameter                | 400 mm         |
| Width                         | 104 mm         |
| d                             | 260 mm         |
| D                             | 400 mm         |
| T                             | 104 mm         |
| C                             | 92 mm          |
| r min.                        | 5 mm           |
| r1 min.                       | 1,5 mm         |
| da min.                       | 282 mm         |
| Da min                        | 373 mm         |
| ra max.                       | 4 mm           |
| rb max.                       | 1,5 mm         |
| Weight                        | 44,6 Kg        |
| Basic dynamic load rating (C) | 935 kN         |
| Basic static load rating (C0) | 1830 kN        |
| (Grease) Lubrication Speed    | 610 r/min      |
| (Oil) Lubrication Speed       | 820 r/min      |
| Calculation factor (e)        | 0,33           |
| Calculation factor (Y0)       | 1,98           |
| Bearing No.                   | 46252          |
| r(min)                        | 5              |
| r1(min)                       | 1.5            |
| Cr                            | 1170           |
| C0r                           | 1830           |

46252 Bearing 2D drawings and 3D CAD models



## ISO BEARING-SINGAPORE (PTE)LTD.

|                  |       |
|------------------|-------|
| Cu               | 100   |
| Grease lub.      | 610   |
| Oil lub.         | 820   |
| da(min)          | 282   |
| Da(min)          | 391.5 |
| Sa(min)          | 6     |
| ra(max)          | 4     |
| rb(max)          | 1.5   |
| e                | 0.33  |
| Y2               | 2.03  |
| Y3               | 3.02  |
| Y0               | 1.98  |
| (Refer.)Mass(kg) | 44.6  |