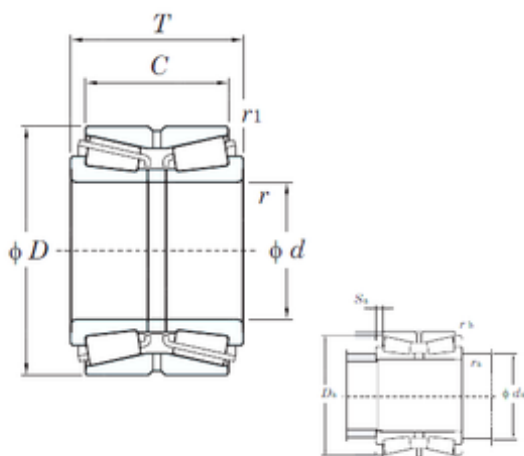




# ISO BEARING-SINGAPORE (PTE)LTD.



## KOYO 46234A tapered roller bearings

Bearing No. 46234A

Size	170x260x84 mm
Bore Diameter	170 mm
Outer Diameter	260 mm
Width	84 mm
d	170 mm
D	260 mm
T	84 mm
C	67 mm
r min.	3 mm
r1 min.	1 mm
da min.	184 mm
Da min	244 mm
ra max.	2,5 mm
rb max.	1 mm
Weight	14,7 Kg
Basic dynamic load rating (C)	502 kN
Basic static load rating (C0)	969 kN
(Grease) Lubrication Speed	1000 r/min
(Oil) Lubrication Speed	1400 r/min
Calculation factor (e)	0,33
Calculation factor (Y0)	1,98
Bearing No.	46234A
r(min)	3
r1(min)	1
Cr	629
C0r	969

46234A Bearing 2D drawings and 3D CAD models



## ISO BEARING-SINGAPORE (PTE)LTD.

Cu	62.6
Grease lub.	1000
Oil lub.	1400
da(min)	184
Da(min)	254
Sa(min)	8.5
ra(max)	2.5
rb(max)	1
e	0.33
Y2	2.03
Y3	3.02
Y0	1.98
(Refer.)Mass(kg)	14.7