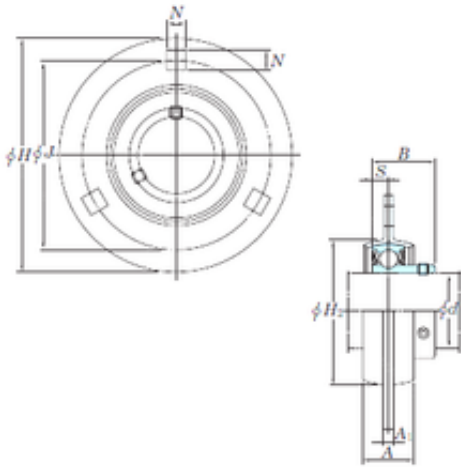




ISO BEARING-SINGAPORE (PTE)LTD.



SBPF202 Bearing 2D drawings and 3D CAD models

KOYO SBPF202 bearing units

Bearing No. SBPF202

Bore Diameter	15 mm
Width	22 mm
d	15 mm
A	14 mm
A1	4 mm
B	22 mm
H	81 mm
H2	49 mm
J	63,5 mm
N	7,1 mm
S	6 mm
Bolt (G)	M6
Weight	0,27 Kg
Basic dynamic load rating (C)	9,55 kN
Basic static load rating (C0)	4,8 kN
Bearing No.	SBPF202
L	-
Bolt size	M6
Cr	9.55
C0r	4.80
f0	13.2
H1	-
(Refer.)Unit mass(kg)	0.27