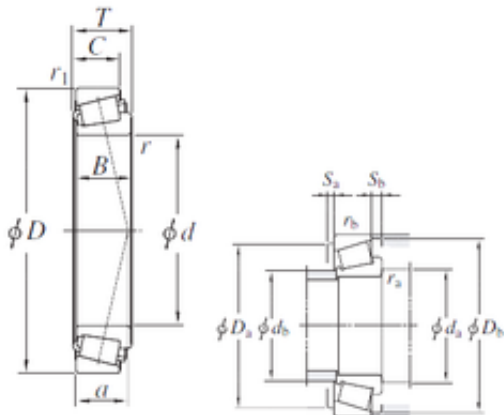




ISO BEARING-SINGAPORE (PTE)LTD.

177,8 mm x 227,013 mm x 30,163 mm KOYO
36990/36920 tapered roller bearings



Bearing No. 36990/36920

Size	177.8x227.013x30.163 mm
Bore Diameter	177,8 mm
Outer Diameter	227,013 mm
Width	30,163 mm
d	177,8 mm
D	227,013 mm
T	30,163 mm
B	30,163 mm
C	23,02 mm
a	43 mm
r min.	1,6 mm
r1 min.	1,6 mm
da min.	186 mm
Da min	212 mm
Da max.	218 mm
db max.	191 mm
ra max.	1,6 mm
rb max.	1,6 mm
Db	219 mm
Weight	2,85 Kg
Basic dynamic load rating (C)	177 kN
Basic static load rating (C0)	402 kN
Calculation factor (e)	0,44
Calculation factor (Y0)	0,75

36990/36920 Bearing 2D drawings and 3D CAD models