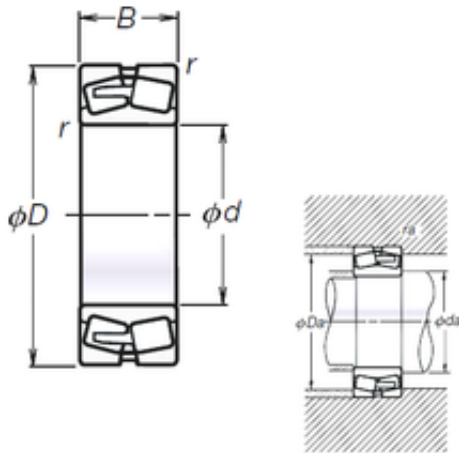




# ISO BEARING-SINGAPORE (PTE)LTD.



200 mm x 360 mm x 98 mm NSK  
TL22240CAE4 spherical roller bearings

Bearing No. TL22240CAE4

Size	200x360x98 mm
Bore Diameter	200 mm
Outer Diameter	360 mm
Width	98 mm
d	200 mm
D	360 mm
B	98 mm
C	98 mm
r min.	4 mm
da min.	218 mm
Da min	342 mm
Da max.	315 mm
ra max.	3 mm
Weight	42,6 Kg
Basic dynamic load rating (C)	1300 kN
Basic static load rating (C0)	36,801 kN
(Grease) Lubrication Speed	950 r/min
(Oil) Lubrication Speed	1 200 r/min
Calculation factor (e)	0,26
Calculation factor (Y0)	2,5
Calculation factor (Y2)	3,8

TL22240CAE4 Bearing 2D drawings and 3D CAD models