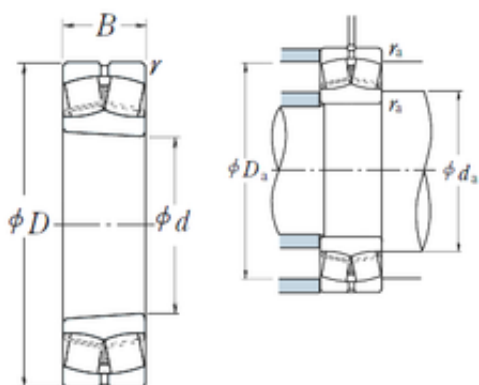




ISO BEARING-SINGAPORE (PTE)LTD.



Tapered Bore

75 mm x 160 mm x 37 mm NSK 21315EAKE4
spherical roller bearings

Bearing No. 21315EAKE4

Size	75x160x37 mm
Bore Diameter	75 mm
Outer Diameter	160 mm
Width	37 mm
d	75 mm
D	160 mm
B	37 mm
C	37 mm
r min.	2,1 mm
da min.	87 mm
da max	101 mm
Da min	134 mm
Da max.	148 mm
ra max.	2 mm
Weight	3,64 Kg
Basic dynamic load rating (C)	250 kN
Basic static load rating (C0)	325 kN
(Grease) Lubrication Speed	3000 r/min
(Oil) Lubrication Speed	3800 r/min
Calculation factor (e)	0,22
Calculation factor (Y0)	3
Calculation factor (Y2)	4,6
Category	Spherical Roller Bearings
Inventory	0.0
Manufacturer Name	NSK

21315EAKE4 Bearing 2D drawings and 3D CAD models



ISO BEARING-SINGAPORE (PTE)LTD.

Minimum Buy Quantity	N/A
Weight / Kilogram	3.75
EAN	0029176410871
Product Group	B04311
Internal Clearance	C0-Medium
Mounting Method	Adapter Mount
Rolling Element	Spherical Roller Bearing
Bore Profile	Tapered
Cage Material	Steel
Enclosure	Open
Number of Rows of Rollers	Double Row
Relubricatable	Yes
Withdrawal Sleeve	AH315 (Specify bore)
Inch - Metric	Metric
Long Description	75MM Tapered Bore; 160MM Outside Diameter; 37MM Width; C0-Medium Clearance; Adapter Mount; Double Row of Spherical Roller Bearings; Steel Cage Material; Open Enclosure; Relubricatable; Adapter Part Nu
Other Features	Order adapter or withdrawal sleeve or nut separately. Others may be available
Category	Spherical Roller Bearing
UNSPSC	31171510
Harmonized Tariff Code	84823080
Noun	Bearing
Keyword String	Spherical
Manufacturer URL	http://www.nskamericas.com
Manufacturer Item Number	21315EAKE4
Weight / LBS	0



ISO BEARING-SINGAPORE (PTE)LTD.

Adapter Part Number	SNW15 H315 HA315 HE315 (Specify Bore) Inch H315 (Specify bore) Millimeter
Width	1.457 Inch 37 Millimeter
Outside Diameter	6.299 Inch 160 Millimeter
Bore	2.953 Inch 75 Millimeter
Y3	3.1
hidYobi	21315EAKE4
LangID	1
Y1	3
D_	160
Y2	4.6
Macha rpm	5600
B_	37
da min	87
hidTable	ecat_NSSPHR
Oil rpm	4000
Y0	3
mass	3.64
GRS rpm	3200
ra	2
TSR rpm	4000
C0	325
DE_	137.026
X0	1
Prod_Type3	SRB_CTB_TB
X1	1
X2	0.67
SIR	13.89
e	0.22
DA_	17.24
bomp	21315EAKE4



ISO BEARING-SINGAPORE (PTE)LTD.

Z_	20
ALP2	22
ALP1	8
ALP3	0
D_a max	148
D_a min	134
yobi	21315EAKE4
HPS	HPS
ALPHA_	0.146
SDM_	119.969
r	2.1
KBRG	2328
SBRG	3
DI_	102.913