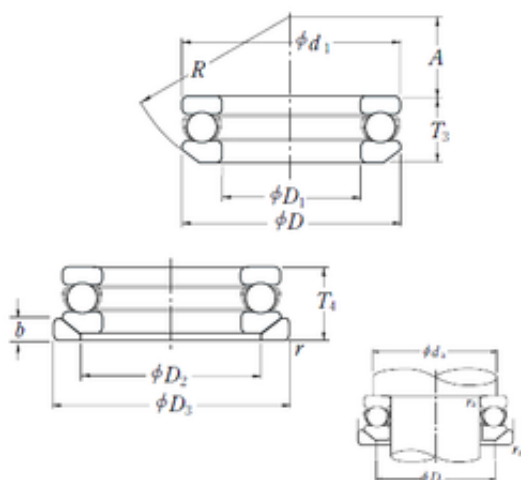




ISO BEARING-SINGAPORE (PTE)LTD.

NSK 53315U thrust ball bearings

Bearing No. 53315U



53315U Bearing 2D drawings and 3D CAD models

Size	75x135x52 mm
Bore Diameter	75 mm
Outer Diameter	135 mm
Width	52 mm
d	75 mm
D	135 mm
T	52 mm
b	15 mm
d1	135 mm
r min.	1,5 mm
A	37 mm
D1	77 mm
D2	105 mm
D3	140 mm
R	100 mm
da min.	111 mm
Da max.	99 mm
ra max.	1,5 mm
Weight	3,42 Kg
Basic dynamic load rating (C)	159 kN
Basic static load rating (C0)	365 kN
(Grease) Lubrication Speed	1300 r/min
SRI	11.15
hidYobi	53315U
LangID	1
D_	135



ISO BEARING-SINGAPORE (PTE)LTD.

SREX	0.08
C	159
B_	52
hidTable	ecat_NSSDTB
Oil rpm	1900
SRE	11.15
mass	3.42
GRS rpm	1300
ra	1.5
SRIX	0.08
T4	52
D_3	140
D_a	99
SRIN	0
C0	365
D_2	105
SREN	0
D_1	77
Prod_Type3	TB_SD_WASW
da	111
DA_	20.638
Z_	14
yobi	53315U
A_	37
T3	48.1
SDM_	105
r	1.5
KBRG	5131
R_	100