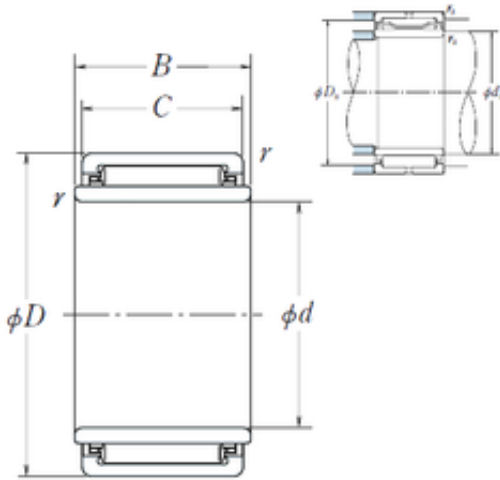




## ISO BEARING-SINGAPORE (PTE)LTD.



40 mm x 55 mm x 20,3 mm NSK LM4520  
needle roller bearings

Bearing No. LM4520

LM4520 Bearing 2D drawings and 3D CAD models

|                               |               |
|-------------------------------|---------------|
| Size                          | 40x55x20.3 mm |
| Bore Diameter                 | 40 mm         |
| Outer Diameter                | 55 mm         |
| Width                         | 20,3 mm       |
| d                             | 40 mm         |
| Fw                            | 45 mm         |
| D                             | 55 mm         |
| B                             | 20,3 mm       |
| C                             | 20 mm         |
| r min.                        | 0,6 mm        |
| da min.                       | 44 mm         |
| Da max.                       | 51 mm         |
| ra max.                       | 0,6 mm        |
| Weight                        | 0,14 Kg       |
| Basic dynamic load rating (C) | 31 kN         |
| Basic static load rating (C0) | 53,5 kN       |
| (Grease) Lubrication Speed    | 4800 r/min    |
| hidYobi                       | LM4520        |
| LangID                        | 1             |
| D_                            | 55            |
| B_                            | 20.3          |
| hidTable                      | ecat_NSMRNR   |
| GRS rpm                       | 4800          |
| ra                            | 0.6           |
| da_min                        | 44            |



## ISO BEARING-SINGAPORE (PTE)LTD.

|            |          |
|------------|----------|
| d2         | 40       |
| C0         | 53.5     |
| C1_        | 20       |
| DE_        | 52       |
| SLR        | 15.8     |
| Prod_Type3 | NRB_S_LM |
| DA_        | 3.5      |
| Z_         | 26       |
| SI         | 45       |
| yobi       | LM4520   |
| da_max     | 51       |
| OIL rpm    | 8000     |
| SDM_       | 48.5     |
| r          | 0.6      |
| KBRG       | 8352     |
| mass2      | 0.14     |
| B1         | 20.3     |