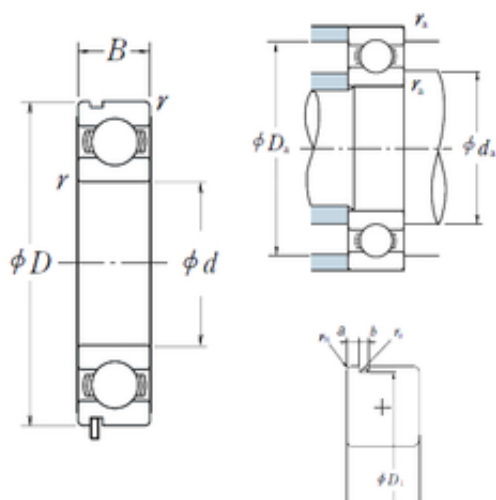




## ISO BEARING-SINGAPORE (PTE)LTD.



30 mm x 55 mm x 13 mm NSK 6006N deep groove ball bearings

Bearing No. 6006N

Size	30x55x13 mm
Bore Diameter	30 mm
Outer Diameter	55 mm
Width	13 mm
d	30 mm
D	55 mm
B	13 mm
C	13 mm
rn	0,5 mm
a	2,08 mm
b	1,35 mm
r min.	1 mm
r0 max.	0,4 mm
D1	52,6 mm
da min.	35 mm
da max	36,5 mm
Da max.	50 mm
ra max.	1 mm
Weight	0,116 Kg
Basic dynamic load rating (C)	13,2 kN
Basic static load rating (C0)	8,3 kN
(Grease) Lubrication Speed	13 000 r/min
(Oil) Lubrication Speed	15 000 r/min
SRI	3.61
hidYobi	6006N

6006N Bearing 2D drawings and 3D CAD models



## ISO BEARING-SINGAPORE (PTE)LTD.

LangID	1
ro	0.4
D_	55
SREX	0.04
B_	13
da min	35
hidTable	ecat_NSRDGB
Oil rpm	15000
SRE	3.79
mass	0.116
GRS rpm	13000
ra	1
SRIX	0.02
D_a	50
SRIN	0
C0	8.3
fo	14.7
SREN	0
DE_	49.844
Prod_Type3	DGBB_SR_N_OT
DA_	7.144
bomp	0
Z_	11
yobi	6006N
C_conv	13200
ALPHA_	0
SDM_	42.7
r	1
KBRG	6101
SBRG	10
DI_	35.556