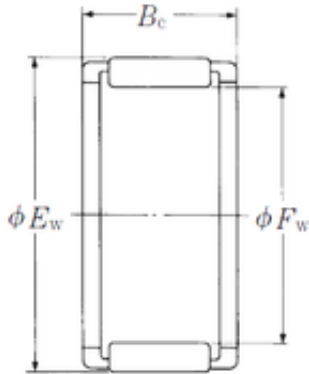




ISO BEARING-SINGAPORE (PTE)LTD.

NSK FWF-202612-E needle roller bearings



Bearing No. FWF-202612-E

Bore Diameter	20 mm
Outer Diameter	26 mm
Fw	20 mm
Ew	26 mm
Bc	12 mm
Weight	0,013 Kg
Basic dynamic load rating (C)	12,2 kN
hidYobi	FWF-202612-E
LangID	1
Prod_Type3	NRB_CNRA_FL
d	20
D_	26
DA_	3
Z_	15
C	12.2
B_	12
hidTable	ecat_NSCRA
yobi	FWF-202612-E
mass	13
SDM_	23
KBRG	8133
C0	14.1
SLR	8.8

FWF-202612-E Bearing 2D drawings and 3D CAD models