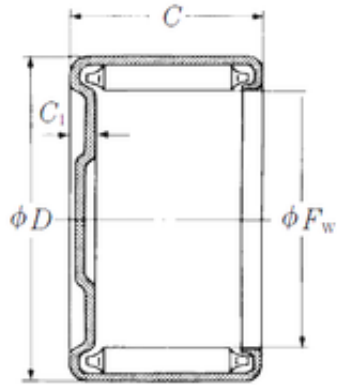




## ISO BEARING-SINGAPORE (PTE)LTD.

### NSK MJ-881 needle roller bearings



Bearing No. MJ-881

Size	12.7x17.462x12.7 mm
Bore Diameter	12,7 mm
Outer Diameter	17,462 mm
Width	12,7 mm
Fw	12,7 mm
D	17,462 mm
C	12,7 mm
C2	1 mm
Weight	0,0082 Kg
Basic dynamic load rating (C)	6,35 kN

MJ-881 Bearing 2D drawings and 3D CAD models