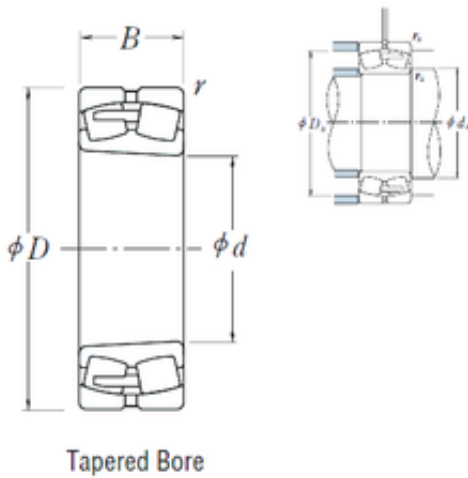




## ISO BEARING-SINGAPORE (PTE)LTD.



190 mm x 260 mm x 52 mm NSK 23938CAKE4  
spherical roller bearings

Bearing No. 23938CAKE4

Size	190x260x52 mm
Bore Diameter	190 mm
Outer Diameter	260 mm
Width	52 mm
d	190 mm
D	260 mm
B	52 mm
C	52 mm
r min.	2 mm
da min.	200 mm
Da min	240 mm
Da max.	250 mm
ra max.	2 mm
Weight	8,03 Kg
Basic dynamic load rating (C)	460 kN
Basic static load rating (C0)	875 kN
(Grease) Lubrication Speed	1200 r/min
(Oil) Lubrication Speed	1500 r/min
Calculation factor (e)	0,18
Calculation factor (Y0)	3,7
Calculation factor (Y2)	5,7

23938CAKE4 Bearing 2D drawings and 3D CAD models