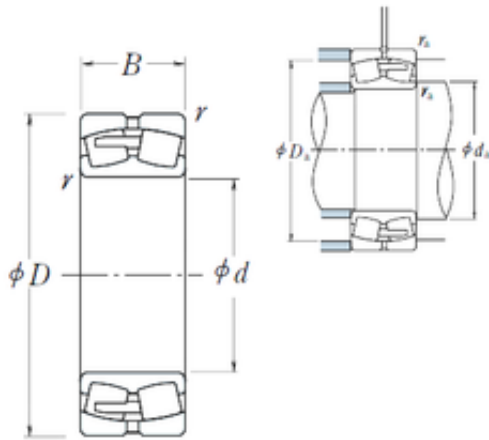




ISO BEARING-SINGAPORE (PTE)LTD.



190 mm x 400 mm x 132 mm NSK 22338CAE4 spherical roller bearings

Bearing No. 22338CAE4

22338CAE4 Bearing 2D drawings and 3D CAD models

Size	190x400x132 mm
Bore Diameter	190 mm
Outer Diameter	400 mm
Width	132 mm
d	190 mm
D	400 mm
B	132 mm
C	132 mm
r min.	5 mm
da min.	212 mm
Da min	338 mm
Da max.	378 mm
ra max.	4 mm
Weight	77,6 Kg
Basic dynamic load rating (C)	1890 kN
Basic static load rating (C0)	2590 kN
(Grease) Lubrication Speed	900 r/min
(Oil) Lubrication Speed	1100 r/min
Calculation factor (e)	0,34
Calculation factor (Y0)	1,9
Calculation factor (Y2)	2,9