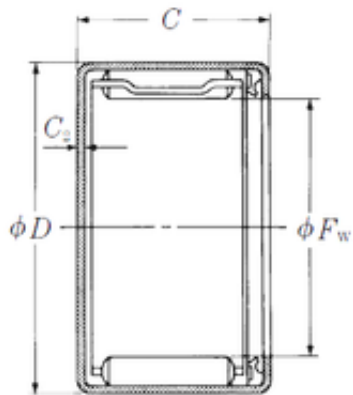




ISO BEARING-SINGAPORE (PTE)LTD.

NSK MFJLT-1718 needle roller bearings

Bearing No. MFJLT-1718



Size	17x24x18 mm
Bore Diameter	17 mm
Outer Diameter	24 mm
Width	18 mm
Fw	17 mm
D	24 mm
C	18 mm
C2	1 mm
Weight	0,019 Kg
Basic dynamic load rating (C)	10,8 kN

MFJLT-1718 Bearing 2D drawings and 3D CAD models