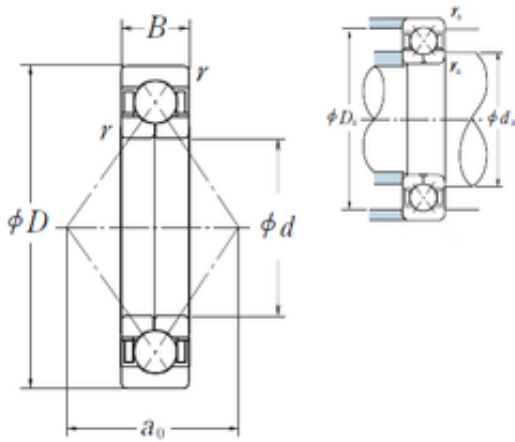




ISO BEARING-SINGAPORE (PTE)LTD.



100 mm x 215 mm x 47 mm NSK QJ 320
angular contact ball bearings

Bearing No. QJ 320

Size	100x215x47 mm
Bore Diameter	100 mm
Outer Diameter	215 mm
Width	47 mm
d	100 mm
D	215 mm
B	47 mm
C	47 mm
Angle (°)	35 °
a	110,3 mm
r min.	3 mm
da min.	114 mm
da max	201 mm
ra max.	2,5 mm
Weight	9,3 Kg
Basic dynamic load rating (C)	300 kN
Basic static load rating (C0)	640 kN
(Grease) Lubrication Speed	2 400 r/min

QJ 320 Bearing 2D drawings and 3D CAD models