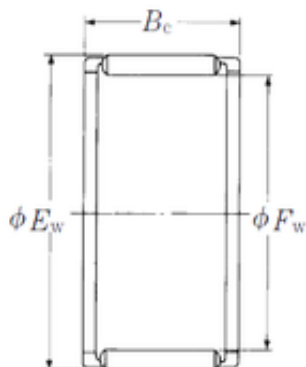




ISO BEARING-SINGAPORE (PTE)LTD.

NSK FWF-556130 needle roller bearings



Bearing No. FWF-556130

Bore Diameter	55 mm
Outer Diameter	61 mm
Fw	55 mm
Ew	61 mm
Bc	30 mm
Weight	0,081 Kg
Basic dynamic load rating (C)	47 kN
Basic static load rating (C0)	109 kN
(Grease) Lubrication Speed	4500 r/min
hidYobi	FWF-556130
LangID	1
Prod_Type3	NRB_CNRA_FWF-FWJ
d	55
D_	61
DA_	3
Z_	36
C	47
B_	30
hidTable	ecat_NSCRA
yobi	FWF-556130
mass	81
GRS rpm	4500
OIL rpm	7500
SDM_	58
KBRG	8113
C0	109

FWF-556130 Bearing 2D drawings and 3D CAD models



ISO BEARING-SINGAPORE (PTE)LTD.

SLR	24.8
-----	------