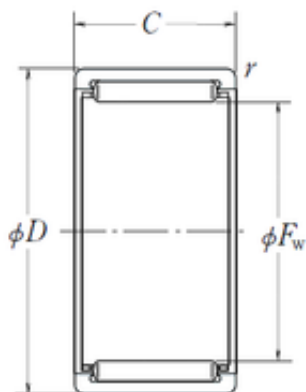




ISO BEARING-SINGAPORE (PTE)LTD.

NSK RLM354530 needle roller bearings



Bearing No. RLM354530

| | |
|-------------------------------|-------------|
| Size | 35x45x30 mm |
| Bore Diameter | 35 mm |
| Outer Diameter | 45 mm |
| Width | 30 mm |
| Fw | 35 mm |
| D | 45 mm |
| C | 30 mm |
| r min. | 0,5 mm |
| Weight | 0,1 Kg |
| Basic dynamic load rating (C) | 38,5 kN |
| Basic static load rating (C0) | 66 kN |
| (Grease) Lubrication Speed | 6300 r/min |
| hidYobi | RLM354530 |
| LangID | 1 |
| D_ | 45 |
| B_ | 30 |
| hidTable | ecat_NSMRNR |
| GRS rpm | 6300 |
| ra | 0.5 |
| C0 | 66 |
| C1_ | 30 |
| DE_ | 42 |
| SLR | 23.8 |
| Prod_Type3 | NRB_S_RLM |
| d | 35 |
| DA_ | 3.5 |

RLM354530 Bearing 2D drawings and 3D CAD models



ISO BEARING-SINGAPORE (PTE)LTD.

| | |
|---------|-----------|
| Z_ | 21 |
| SI | 0 |
| yobi | RLM354530 |
| da_max | 41 |
| OIL rpm | 10000 |
| SDM_ | 38.5 |
| r | 0.5 |
| KBRG | 8312 |
| mass1 | 0.1 |