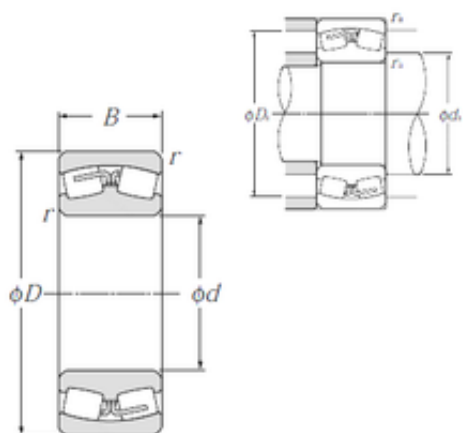




ISO BEARING-SINGAPORE (PTE)LTD.

440 mm x 650 mm x 157 mm NTN 23088B
spherical roller bearings



Bearing No. 23088B

23088B Bearing 2D drawings and 3D CAD models

Size	440x650x157 mm
Bore Diameter	440 mm
Outer Diameter	650 mm
Width	157 mm
d	440 mm
D	650 mm
B	157 mm
C	157 mm
r min.	6 mm
da min.	468 mm
Da max.	622 mm
ra max.	5 mm
Weight	181 Kg
Basic dynamic load rating (C)	3 300 kN
Basic static load rating (C0)	6 850 kN
(Grease) Lubrication Speed	470 r/min
(Oil) Lubrication Speed	610 r/min
Calculation factor (e)	0,24
Calculation factor (Y0)	2,78
Calculation factor (Y1)	2,85
Category	Bearings
Inventory	0.0
Manufacturer Name	NTN
Minimum Buy Quantity	N/A
Weight / Kilogram	0



ISO BEARING-SINGAPORE (PTE)LTD.

Product Group	
---------------	--

	B04311
--	--------