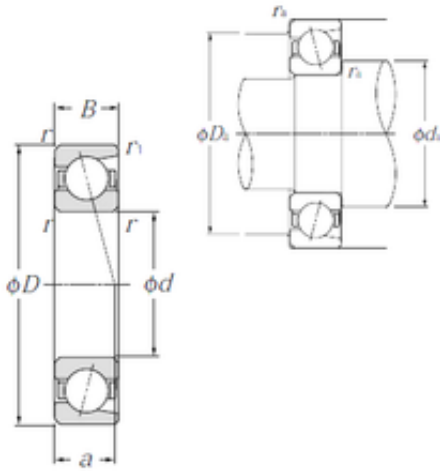




ISO BEARING-SINGAPORE (PTE)LTD.

17 mm x 35 mm x 10 mm NTN 7003C angular contact ball bearings



7003C Bearing 2D drawings and 3D CAD models

Bearing No. 7003C

Size	17x35x10 mm
Bore Diameter	17 mm
Outer Diameter	35 mm
Width	10 mm
d	17 mm
D	35 mm
B	10 mm
C	10 mm
Angle (°)	15 °
a	8,5 mm
r min.	0,3 mm
r1 min.	0,15 mm
Weight	0,038 Kg
Basic dynamic load rating (C)	7,7 kN
Basic static load rating (C0)	4,1 kN
(Grease) Lubrication Speed	31 000 r/min
(Oil) Lubrication Speed	41 000 r/min