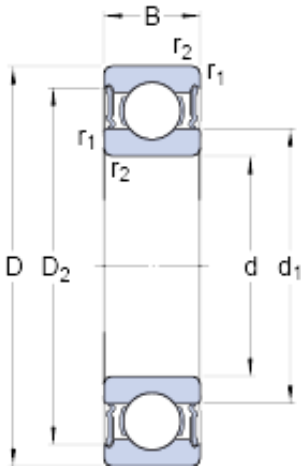




ISO BEARING-SINGAPORE (PTE)LTD.



85 mm x 180 mm x 41 mm SKF 6317-2RS1 deep groove ball bearings

Bearing No. 6317-2RS1

6317-2RS1 Bearing 2D drawings and 3D CAD models

Size	180x85x41 mm
Bore Diameter	180 mm
Outer Diameter	85 mm
Width	41 mm
d	85 mm
D	180 mm
B	41 mm
d ₁	114.55 mm
D ₂	155.4 mm
r _{1,2} - min.	3 mm
d _a - min.	99 mm
d _a - max.	114.9 mm
D _a - max.	166 mm
r _a - max.	2.5 mm
Basic dynamic load rating - C	140 kN
Basic static load rating - C ₀	96.5 kN
Fatigue load limit - P _u	3.6 kN
Limiting speed	2400 r/min
Calculation factor - k _r	0.03
Calculation factor - f ₀	13.3
Category	Single Row Ball Bearings
Inventory	0.0
Manufacturer Name	SKF
Minimum Buy Quantity	N/A



ISO BEARING-SINGAPORE (PTE)LTD.

Weight / Kilogram	4.359
EAN	7316577117120
Product Group	B00308
Enclosure	2 Seals
Precision Class	ABEC 1 ISO P0
Maximum Capacity / Filling Slot	No
Rolling Element	Ball Bearing
Snap Ring	No
Internal Special Features	No
Cage Material	Steel
Enclosure Type	Contact Seal
Internal Clearance	C0-Medium
Inch - Metric	Metric
Long Description	85MM Bore; 180MM Outside Diameter; 41MM Outer Race Width; 2 Seals; Ball Bearing; ABEC 1 ISO P0; No Filling Slot; No Snap Ring; No Internal Special Features; C0-Medium Internal Clearance; Steel Cage;
Other Features	Deep Groove NBR Seal
Category	Single Row Ball Bearing
UNSPSC	31171504
Harmonized Tariff Code	8482.10.50.68
Noun	Bearing
Keyword String	Ball
Manufacturer URL	http://www.skf.com
Manufacturer Item Number	6317-2RS1
Weight / LBS	9.6004
Inner Race Width	0 Inch 0 Millimeter
Outside Diameter	7.087 Inch 180 Millimeter
Bore	3.346 Inch 85 Millimeter



ISO BEARING-SINGAPORE (PTE)LTD.

Outer Race Width	1.614 Inch 41 Millimeter
d_1	114.55 mm
D_2	155.4 mm
$r_{1,2}$ min.	3 mm
d_a min.	99 mm
d_a max.	114.9 mm
D_a max.	166 mm
r_a max.	2.5 mm
Basic dynamic load rating C	140 kN
Basic static load rating C_0	96.5 kN
Fatigue load limit P_u	3.55 kN
Calculation factor k_r	0.03
Calculation factor f_0	13.3
Mass bearing	4.36 kg